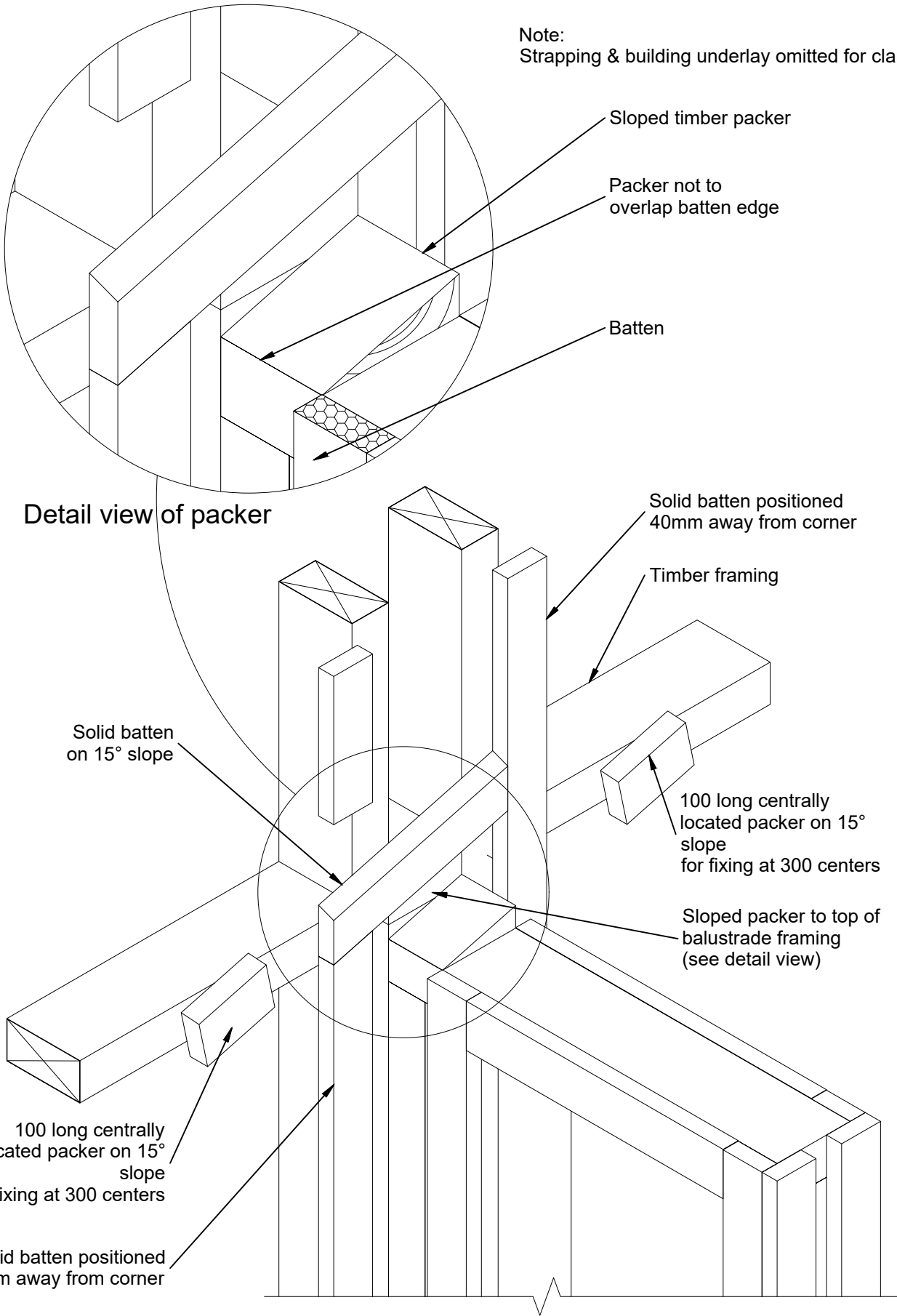


Note:
Strapping & building underlay omitted for clarity



© 2019 Petros Holdings Ltd



61 Hillside Rd, Wairau Valley
Auckland 0627
New Zealand
www.mineralplaster.co.nz Ph: 0800 25 23 678

MPT Meshclad System Junction - Parapet Balustrade Wall Batten Layout

EIFS Setup

Reference: MPT_M068

Date: June 2019

Scale: 1 : 5 @ A4

Revision: 2

TERMS OF USE Disclaimer: This information is intended solely as a guide for use of MPT products. Before using you should ensure that the product is suitable for use in the specific application. Nothing in this information constitutes a statement of fitness for particular purpose and appropriate expert advice is to always be obtained. Petros Holdings Ltd makes no warranty regarding the use of this information. This drawing is the property of Petros Holdings Ltd. It must not be copied in any form except for the purpose of specifying the use of MPT products in construction projects.